

SAFECO BRAND GFT SERIES

Available in Vertical, Horizontal,
and Angle Flow Configurations

2"-12" Carbon Steel Fabricated Filter



TYPICAL APPLICATIONS

- Turbine Meter Installations
- Rotary Meter Installations
- "In-Plant" Filtration Systems
- City Gate Stations
- Regulator Stations
- Large Commercial Services
- Transmission and Distribution Systems



- Reliable
- Easy Maintenance
- Economical
- Designed and Fabricated to ASME



- Dry Gas Filters
- Coalescent Filters
- Strainers
- Custom Fabrication

Green Country Filter Mfg.
1415 S. 70th E. Ave.
Tulsa, OK 74112
918-455-0100

www.GreenCountryFilter.com

SAFECO BRAND GFT-02-150

2" 150# ANSI RAISED-FACE
FABRICATED STEEL NATURAL GAS FILTER



FILTER ELEMENT

Number of Elements : One

Inner Shield : 22 Ga. CS Perforated
Outer Shield : 18 Ga. CS Perforated
End Caps : 22 Ga CS EP
MIN Collapse : 25 PSID

Cellulose Part # : 020040170-10C
Retention : 10 Microns @ 99%

Polyester Part # : 020040170-5P
Retention : 5 Microns @ 99%

CONSTRUCTION MATERIALS

Closure Type : Bolted
Davit Arm : None, Handle
Closure Bolts : SA-193 GR B-7
Closure Cap : SA-105
Gasket Size : 6" 150# RING
Gasket Mat'l : NON-ASBESTOS
Closure Hub : SA-105
Body : SA-106 GR B
Bottom : SA-234 GR WPB
Inlet : SA-105 / SA-106 GR B
Outlet : SA-105 / SA-106 GR B
Drain : SA-105
High-side DP Tap : SA-105
Low-side DP Tap : SA-105
Leg Supports : N / A
Skirt : N / A
Base Plate : N / A
Net Weight : 118 lbs

SCHEDULE OF OPENINGS

Inlet : 2" 150# ANSI RF
Outlet : 2" 150# ANSI RF
Drain : 1/2" F-NPT, w/ Plug
Vent : 1/4" F-NPT, w/ Plug
High-side DP Tap : 1/4" F-NPT, w/ Plug
Low-side DP Tap : 1/4" F-NPT, w/ Plug

DESIGN

Pressure Class : ASME / ANSI 150
Max Pressure : 285 psig
Max Temperature : 100 Degrees F
Corrosion Allowance : None
CODE Stamped : Available

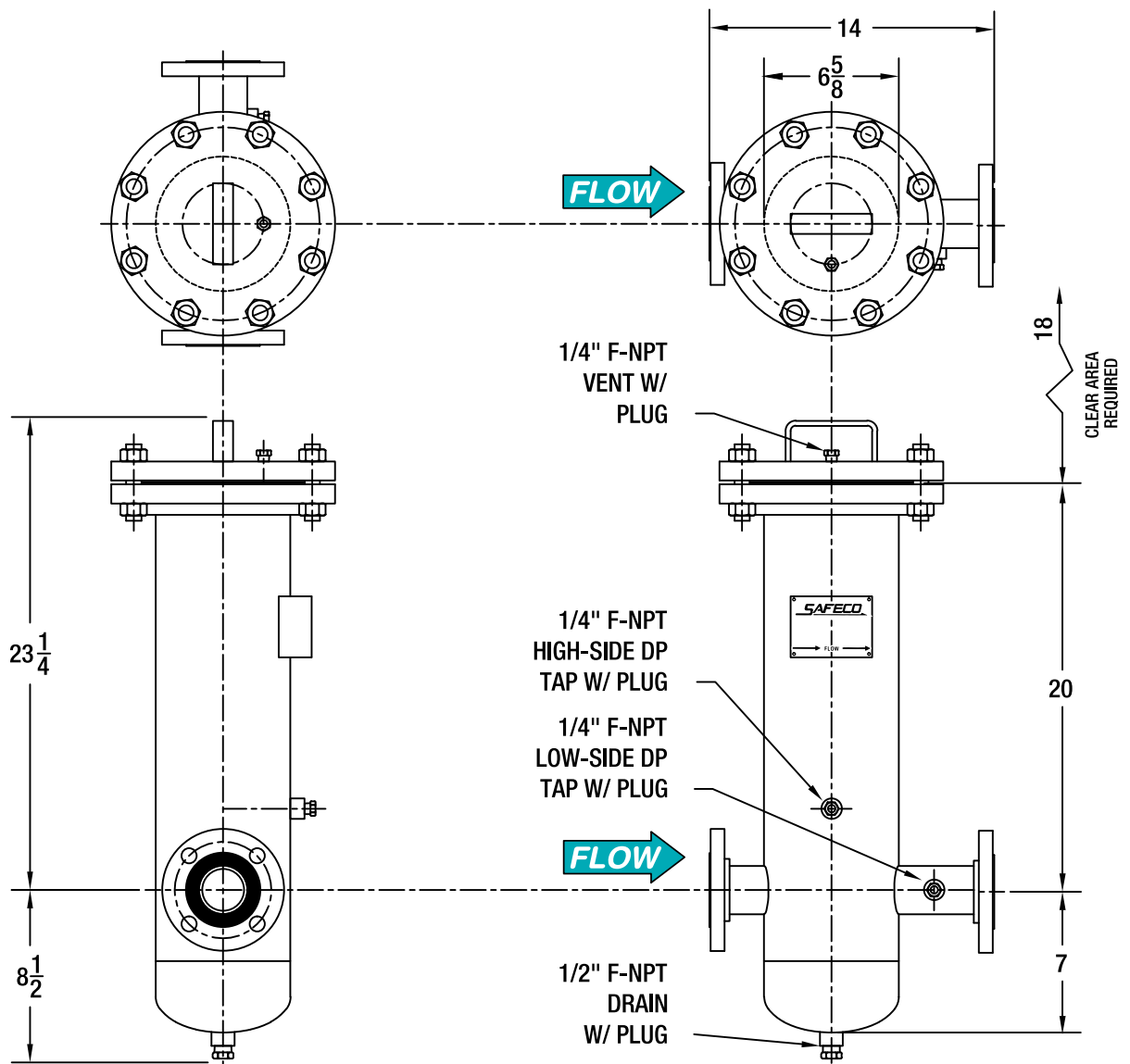
TESTING

Hydrostatic Test : 450 PSIG
Pneumatic Test : 80 PSIG
Radiography : Available RT-1

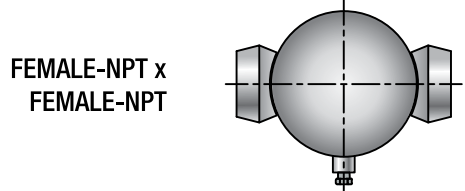
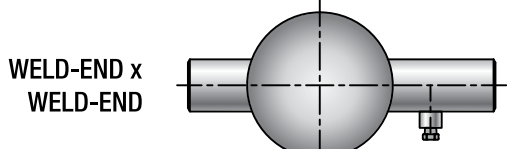
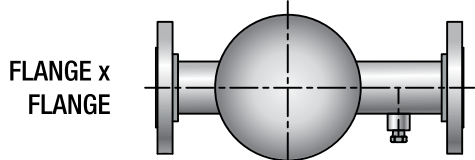
COATING

2 mils Oxidating Primer,
Sand Blasting and
Other Coatings Available

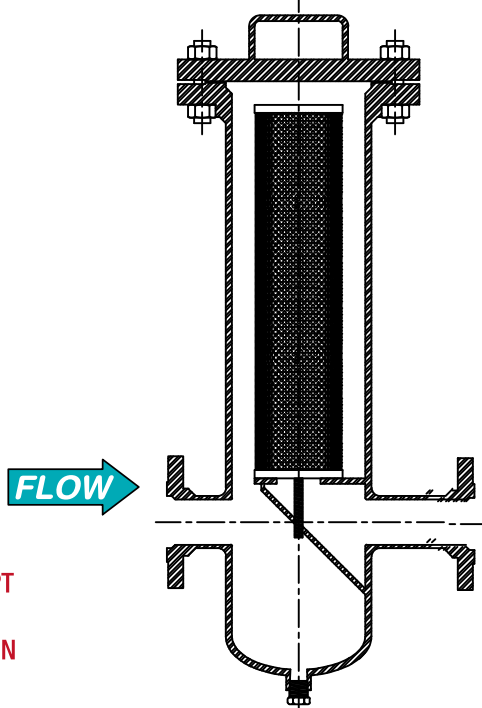




SELECT APPROPRIATE INLET & OUTLET OR ANY COMBINATION



NOTE: FEMALE-NPT OUTLET LOSES LOW-SIDE DP CONN



SAFECO BRAND GFT-02-300

2" 300# ANSI RAISED-FACE
FABRICATED STEEL NATURAL GAS FILTER



FILTER ELEMENT

Number of Elements : One

Inner Shield : 22 Ga. CS Perforated

Outer Shield : 18 Ga. CS Perforated

End Caps : 22 Ga CS EP

MIN Collapse : 25 PSID

Cellulose Part # : 020040170-10C

Retention : 10 Microns @ 99%

Polyester Part # : 020040170-5P

Retention : 5 Microns @ 99%

CONSTRUCTION MATERIALS

Closure Type : Bolted

Davit Arm : None, Handle

Closure Bolts : SA-193 GR B-7

Closure Cap : SA-105

Gasket Size : 6" 300# RING

Gasket Mat'l : NON-ASBESTOS

Closure Hub : SA-105

Body : SA-106 GR B

Bottom : SA-234 GR WPB

Inlet : SA-105 / SA-106 GR B

Outlet : SA-105 / SA-106 GR B

Drain : SA-105

High-side DP Tap : SA-105

Low-side DP Tap : SA-105

Leg Supports : N / A

Skirt : N / A

Base Plate : N / A

Net Weight : 170 lbs

SCHEDULE OF OPENINGS

Inlet : 2" 300# ANSI RF

Outlet : 2" 300# ANSI RF

Drain : 1/2" F-NPT, w/ Plug

Vent : 1/4" F-NPT, w/ Plug

High-side DP Tap : 1/4" F-NPT, w/ Plug

Low-side DP Tap : 1/4" F-NPT, w/ Plug

DESIGN

Pressure Class : ASME / ANSI 300

Max Pressure : 740 psig

Max Temperature : 100 Degrees F

Corrosion Allowance : None

CODE Stamped : Available

TESTING

Hydrostatic Test : 1125 PSIG

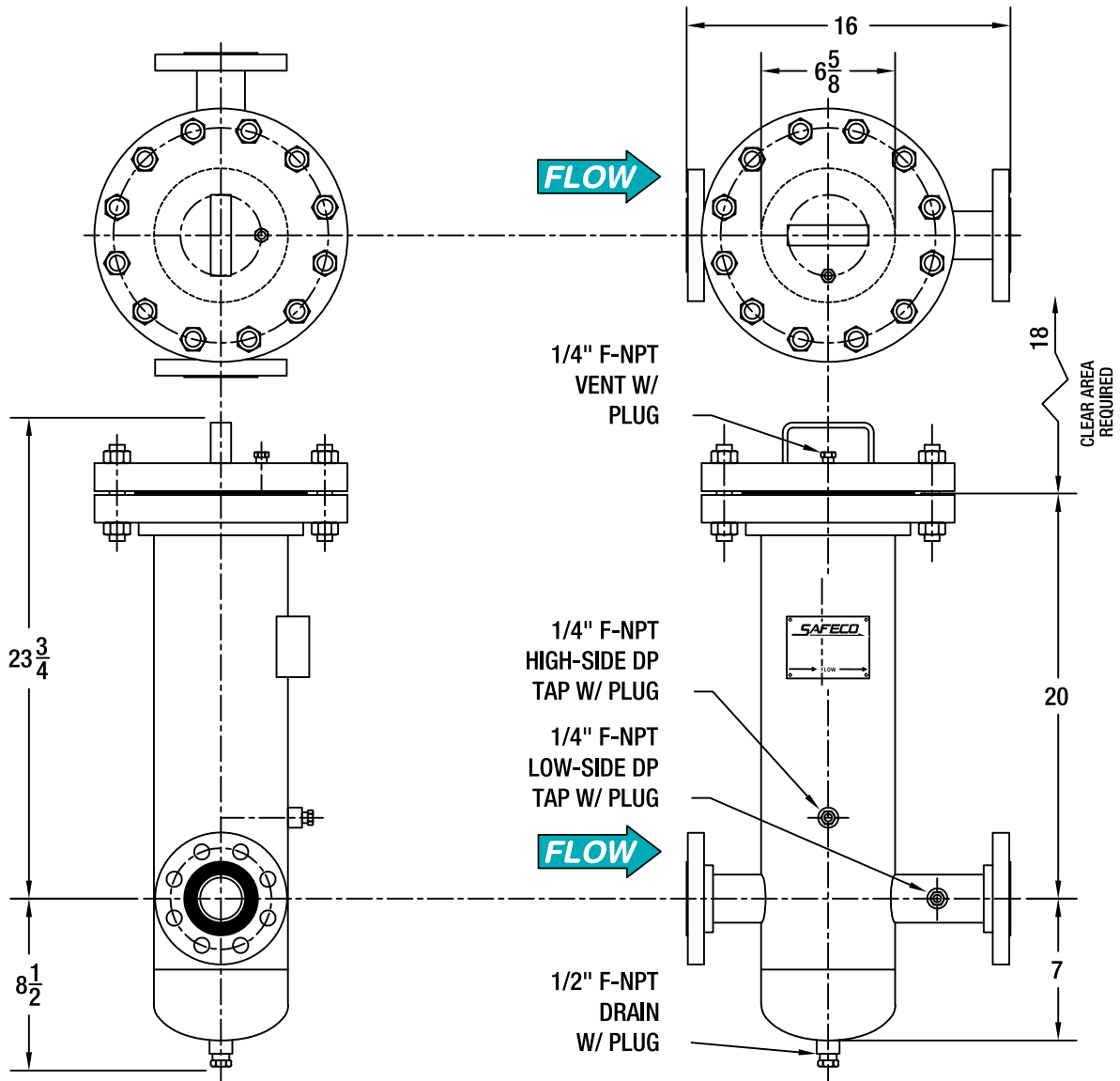
Pneumatic Test : 80 PSIG

Radiography : Available RT-1

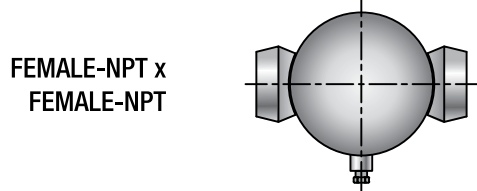
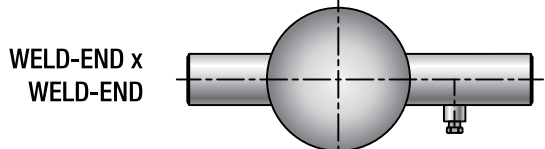
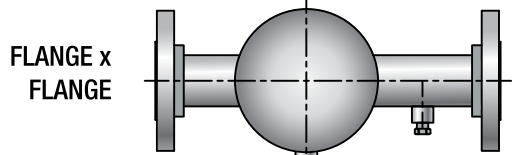
COATING

2 mils Oxidating Primer,
Sand Blasting and
Other Coatings Available

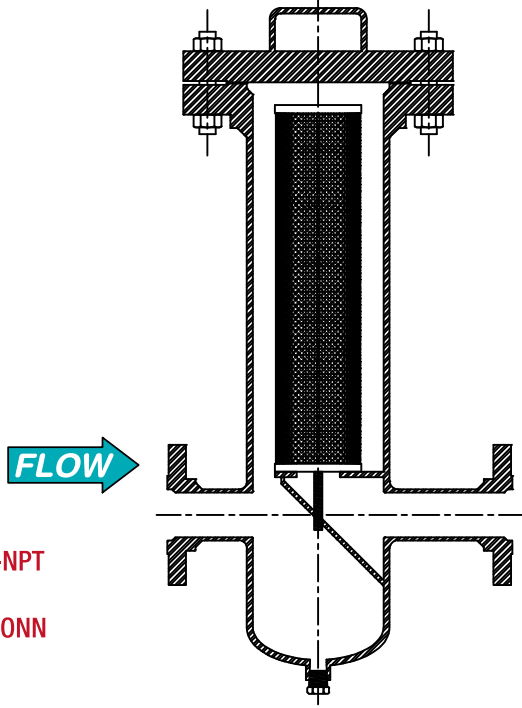




SELECT APPROPRIATE INLET & OUTLET OR ANY COMBINATION



NOTE: FEMALE-NPT OUTLET LOSES LOW-SIDE DP CONN



SAFECO BRAND GFT-02-600

2" 600# ANSI RAISED-FACE
FABRICATED STEEL NATURAL GAS FILTER



FILTER ELEMENT

Number of Elements : One

Inner Shield : 22 Ga. CS Perforated
Outer Shield : 18 Ga. CS Perforated
End Caps : 22 Ga CS EP
MIN Collapse : 25 PSID

Cellulose Part # : 020040170-10C
Retention : 10 Microns @ 99%

Polyester Part # : 020040170-5P
Retention : 5 Microns @ 99%

CONSTRUCTION MATERIALS

Closure Type : Bolted
Davit Arm : 1" CR CARBON STEEL
Closure Bolts : SA-193 GR B-7
Closure Cap : SA-105
Gasket Size : 6" 600# RING
Gasket Mat'l : 304 SS / GRAPHITE
Closure Hub : SA-105
Body : SA-106 GR B
Bottom : SA-234 GR WPB
Inlet : SA-105 / SA-106 GR B
Outlet : SA-105 / SA-106 GR B
Drain : SA-105
High-side DP Tap : SA-105
Low-side DP Tap : SA-105
Leg Supports : N / A
Skirt : N / A
Base Plate : N / A
Net Weight : 292 lbs

SCHEDULE OF OPENINGS

Inlet : 2" 600# ANSI RF
Outlet : 2" 600# ANSI RF
Drain : 1/2" F-NPT, w/ Plug
Vent : 1/4" F-NPT, w/ Plug
High-side DP Tap : 1/4" F-NPT, w/ Plug
Low-side DP Tap : 1/4" F-NPT, w/ Plug

DESIGN

Pressure Class : ASME / ANSI 600
Max Pressure : 1480 psig
Max Temperature : 100 Degrees F
Corrosion Allowance : None
CODE Stamped : Available

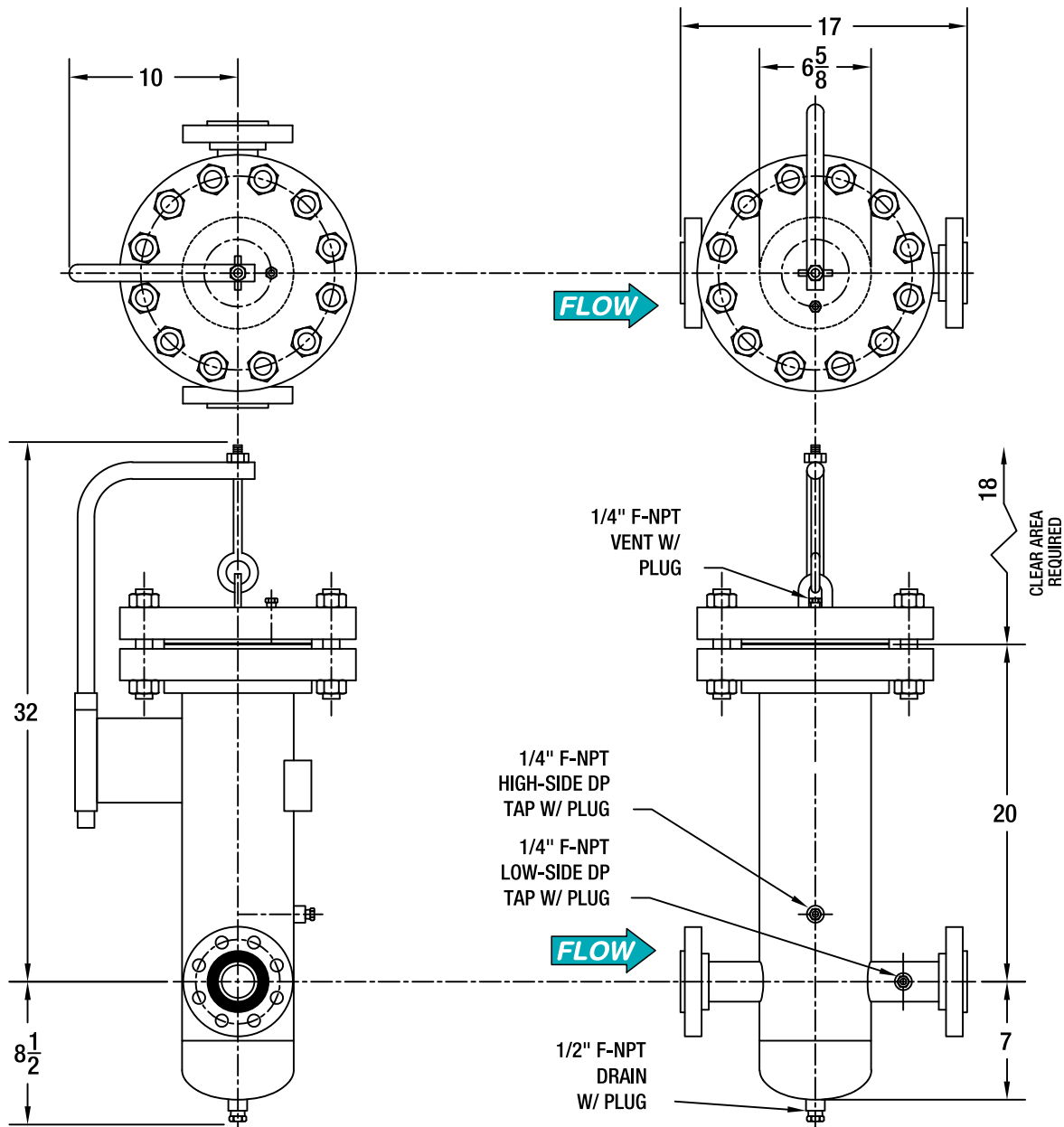
TESTING

Hydrostatic Test : 2250 PSIG
Pneumatic Test : 80 PSIG
Radiography : Available RT-1

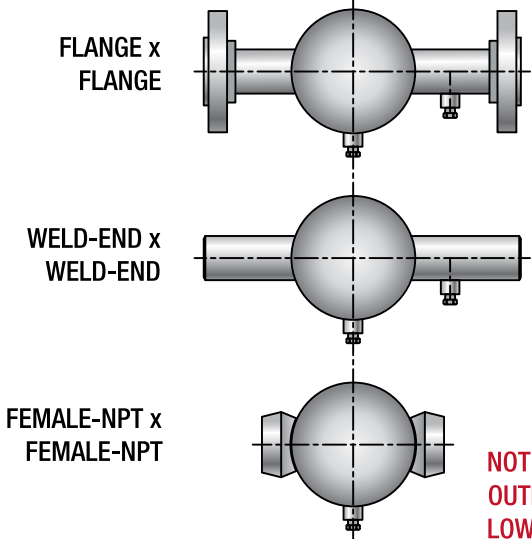
COATING

2 mils Oxidating Primer,
Sand Blasting and
Other Coatings Available

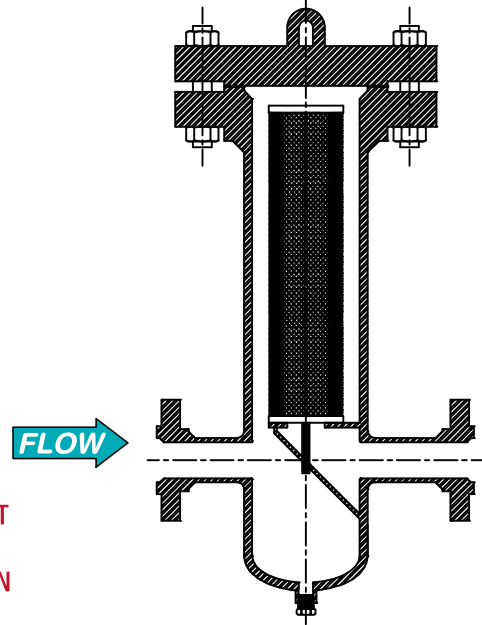




SELECT APPROPRIATE INLET & OUTLET OR ANY COMBINATION



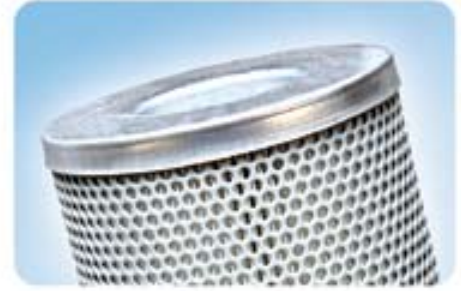
NOTE: FEMALE-NPT OUTLET LOSES LOW-SIDE DP CONN



ESTIMATED GAS FLOW RATE (IN SCFH) THROUGH

SAFECO Model: GFT/GFTQ

2" 150# / 300# / 600# ANSI



Temperature : 60 Degrees F
 Gas Specific Gravity : 0.6
 Pore Size : 5 Micron
 Cartridge # : 020040170-5P

5 Micron

Calculated from DP Tap to DP Tap
PRESSURE DROP (PSI)

Inlet Pressure (PSI)	.50 WC	1.00 WC	5.00 WC	10.00 WC	20.00 WC	1	2	3	4	5
10	5349	7565	16918	23926	33837	39815	39815	39815	79632	89032
25	6782	9592	21448	30333	42897	50479	50479	50479	100958	112874
50	8658	12245	27381	38723	54763	64442	64442	64442	128884	144096
75	10195	14418	32240	45595	64481	75877	75877	75877	151755	169667
100	11528	16304	36457	51559	72916	85802	85802	85802	171604	191859
150	13814	19537	43687	61783	87375	102816	102816	102816	205632	229904
200	15772	22306	49880	70541	99761	117390	117390	117390	234780	262493
250	17514	24768	55384	78325	110770	130344	130344	130344	260689	291459
300	19096	27007	60389	85403	120779	142123	142123	142123	284246	317797
350	20557	29073	65010	91938	130020	152997	152997	152997	305995	342113
400	21921	31001	69323	98038	138647	163149	163149	163149	326298	364812
450	23205	32817	73383	103780	146767	172704	172704	172704	345409	386179
500	24422	34538	77230	109220	154461	181758	181758	181758	363516	406423
600	26689	37744	84400	119360	168801	198631	198631	198631	397263	444154
700	28778	40699	91007	128703	182015	214179	214179	214179	428360	478921
800	30726	43453	97165	137412	194332	228673	228673	228673	457347	511330
900	32557	46042	102956	145602	205913	242301	242301	242301	484604	541803
1000	34290	48495	108438	153354	216877	255203	255203	255203	510406	570651
1100	35940	50828	113655	160734	227312	267483	267483	267483	534966	598110
1200	37518	53059	118644	167789	237290	279223	279223	279223	558447	624362
1300	39032	55200	123432	174559	246864	290489	290489	290489	580979	649554
1400	40490	57261	128040	181076	256081	301335	301335	301335	602670	673805

REVISION : NOVEMBER 2011

ESTIMATED GAS FLOW RATE (IN SCFH) THROUGH

SAFECO Model: GFT/GFTQ

2" 150# / 300# / 600# ANSI



Temperature : 60 Degrees F
 Gas Specific Gravity : 0.6
 Pore Size : 10 Micron
 Cartridge # : 020040170-10C

10 Micron

Calculated from DP Tap to DP Tap
PRESSURE DROP (PSI)

Inlet Pressure (PSI)	.50 WC	1.00 WC	5.00 WC	10.00 WC	20.00 WC	1	2	3	4	5
10	5404	7642	17089	24168	34179	40218	56878	69661	80437	89932
25	6851	9689	21665	30640	43331	50989	72109	88315	101978	114015
50	8746	12369	27658	39115	55317	65093	92055	112744	130186	145552
75	10298	14564	32566	46056	65133	76644	108391	132751	153288	171381
100	11645	16469	36826	52080	73653	86669	122568	150115	173338	193797
150	13954	19735	44129	62408	88258	103855	146873	179882	207710	232227
200	15932	22532	50384	71254	100769	118576	167692	205380	237152	265145
250	17691	25019	55944	79117	111889	131661	186197	228044	263323	294404
300	19289	27280	60999	86266	121999	143559	203023	248651	287118	321008
350	20765	29367	65667	92867	131334	154543	218557	267677	309086	345569
400	22143	31315	70024	99029	140048	164797	233058	285436	329594	368497
450	23440	33149	74125	104829	148250	174449	246708	302154	348898	390080
500	24669	34887	78011	110324	156022	183594	259641	317994	367188	410529
600	26959	38126	85253	120566	170507	200638	283745	347515	401276	448641
700	29069	41111	91927	130004	183854	216343	305956	374718	432687	483759
800	31037	43892	98147	138801	196295	230983	326660	400075	461967	516495
900	32886	46508	103996	147073	207993	244749	346128	423918	489499	547276
1000	34637	48985	109534	154904	219068	257781	364557	446490	515562	576416
1100	36304	51342	114804	162358	229609	270185	382099	467974	540370	604152
1200	37897	53595	119843	169484	239687	282044	398870	488514	564088	630669
1300	39427	55758	124679	176323	249358	293424	414964	508225	586848	656116
1400	40899	57840	129334	182906	258668	304379	430456	527199	608758	680612

REVISION : NOVEMBER 2011

SAFECO BRAND GFT-03-150

3" 150# ANSI RAISED-FACE
FABRICATED STEEL NATURAL GAS FILTER



FILTER ELEMENT

Number of Elements : One

Inner Shield : 22 Ga. CS Perforated
Outer Shield : 18 Ga. CS Perforated
End Caps : 22 Ga CS EP
MIN Collapse : 25 PSID

Cellulose Part # : 040060220-10C
Retention : 10 Microns @ 99%

Polyester Part # : 040060220-5P
Retention : 5 Microns @ 99%

CONSTRUCTION MATERIALS

Closure Type : Bolted
Davit Arm : None, Handle
Closure Bolts : SA-193 GR B-7
Closure Cap : SA-105
Gasket Size : 8" 150# RING
Gasket Mat'l : NON-ASBESTOS
Closure Hub : SA-105
Body : SA-106 GR B
Bottom : SA-234 GR WPB
Inlet : SA-105 / SA-106 GR B
Outlet : SA-105 / SA-106 GR B
Drain : SA-105
High-side DP Tap : SA-105
Low-side DP Tap : SA-105
Leg Supports : N / A, Available
Skirt : N / A, Available
Base Plate : N / A, Available
Net Weight : 210 lbs

SCHEDULE OF OPENINGS

Inlet : 3" 150# ANSI RF
Outlet : 3" 150# ANSI RF
Drain : 1/2" F-NPT, w/ Plug
Vent : 1/4" F-NPT, w/ Plug
High-side DP Tap : 1/4" F-NPT, w/ Plug
Low-side DP Tap : 1/4" F-NPT, w/ Plug

DESIGN

Pressure Class : ASME / ANSI 150
Max Pressure : 285 psig
Max Temperature : 100 Degrees F
Corrosion Allowance : None
CODE Stamped : Available

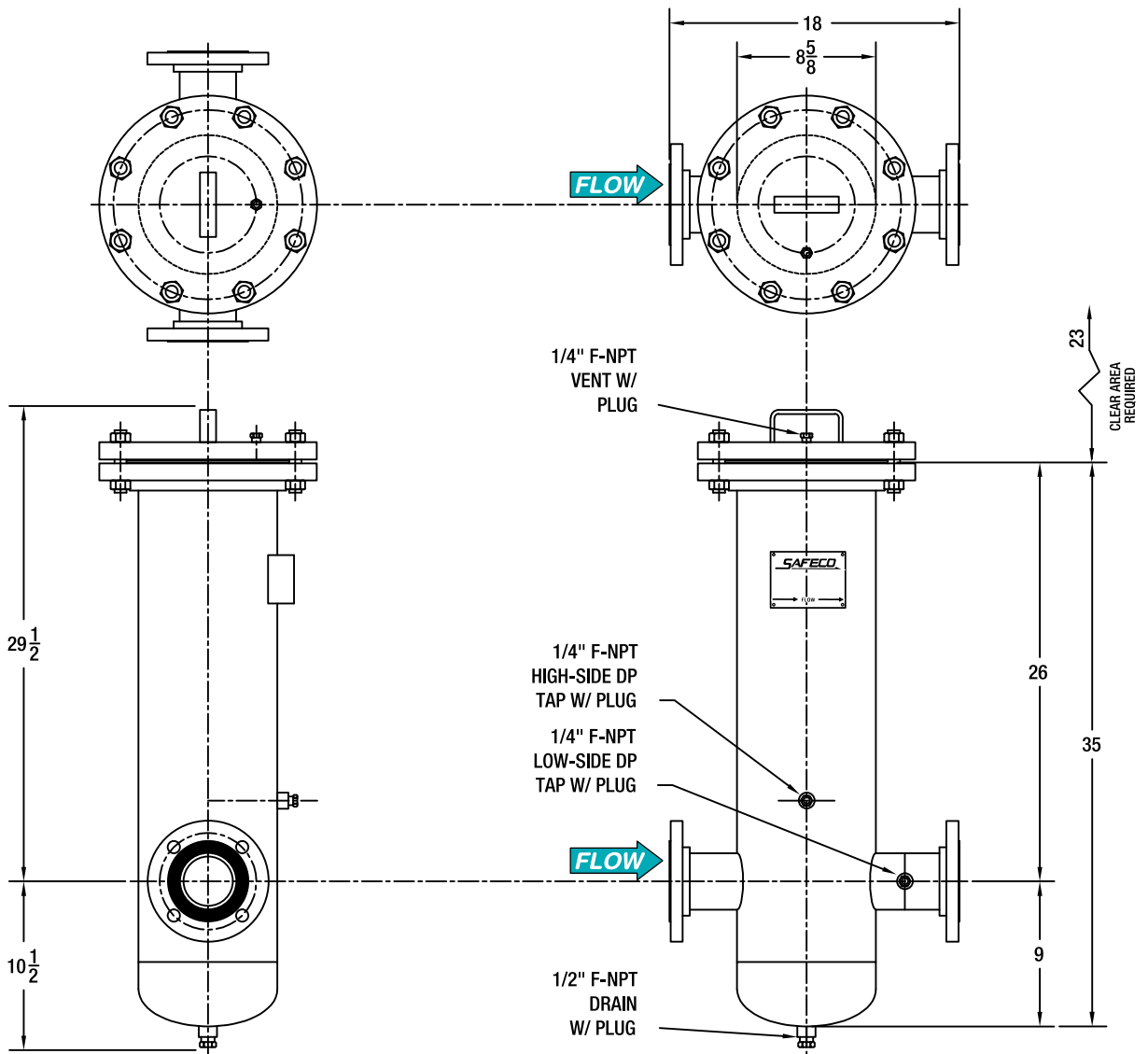
TESTING

Hydrostatic Test : 450 PSIG
Pneumatic Test : Available 80 PSIG
Radiography : Available RT-1

COATING

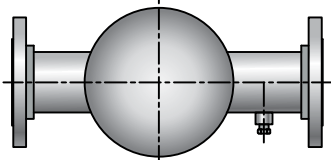
2 mils Oxidating Primer,
Sand Blasting and
Other Coatings Available



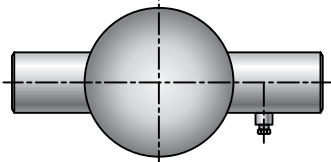


AVAILABLE AS

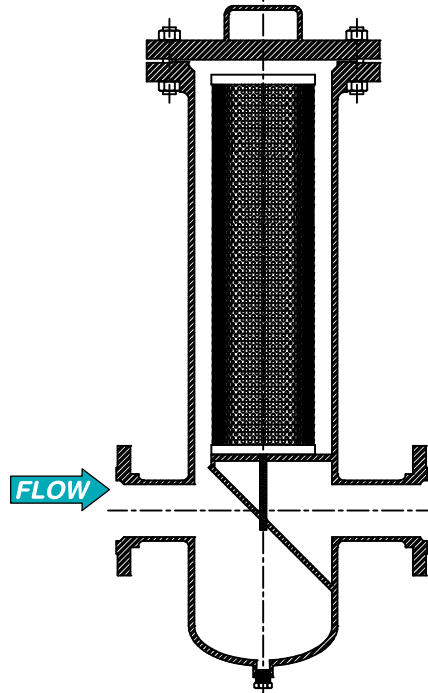
FLANGE x
FLANGE



WELD-END x
WELD-END



OR ANY COMBINATION THEREOF



SAFECO BRAND GFT-03-300

3" 300# ANSI RAISED-FACE
FABRICATED STEEL NATURAL GAS FILTER



FILTER ELEMENT

Number of Elements : One

Inner Shield : 22 Ga. CS Perforated
Outer Shield : 18 Ga. CS Perforated
End Caps : 22 Ga CS EP
MIN Collapse : 25 PSID

Cellulose Part # : 040060220-10C
Retention : 10 Microns @ 99%

Polyester Part # : 040060220-5P
Retention : 5 Microns @ 99%

CONSTRUCTION MATERIALS

Closure Type : Bolted
Davit Arm : 1" CR CARBON STEEL
Closure Bolts : SA-193 GR B-7
Closure Cap : SA-105
Gasket Size : 8" 300# RING
Gasket Mat'l : NON-ASBESTOS
Closure Hub : SA-105
Body : SA-106 GR B
Bottom : SA-234 GR WPB
Inlet : SA-105 / SA-106 GR B
Outlet : SA-105 / SA-106 GR B
Drain : SA-105
High-side DP Tap : SA-105
Low-side DP Tap : SA-105
Leg Supports : N / A, Available
Skirt : N / A, Available
Base Plate : N / A, Available
Net Weight : 296 lbs

SCHEDULE OF OPENINGS

Inlet : 3" 300# ANSI RF
Outlet : 3" 300# ANSI RF
Drain : 1/2" F-NPT, w/ Plug
Vent : 1/4" F-NPT, w/ Plug
High-side DP Tap : 1/4" F-NPT, w/ Plug
Low-side DP Tap : 1/4" F-NPT, w/ Plug

DESIGN

Pressure Class : ASME / ANSI 300
Max Pressure : 740 psig
Max Temperature : 100 Degrees F
Corrosion Allowance : None
CODE Stamped : Available

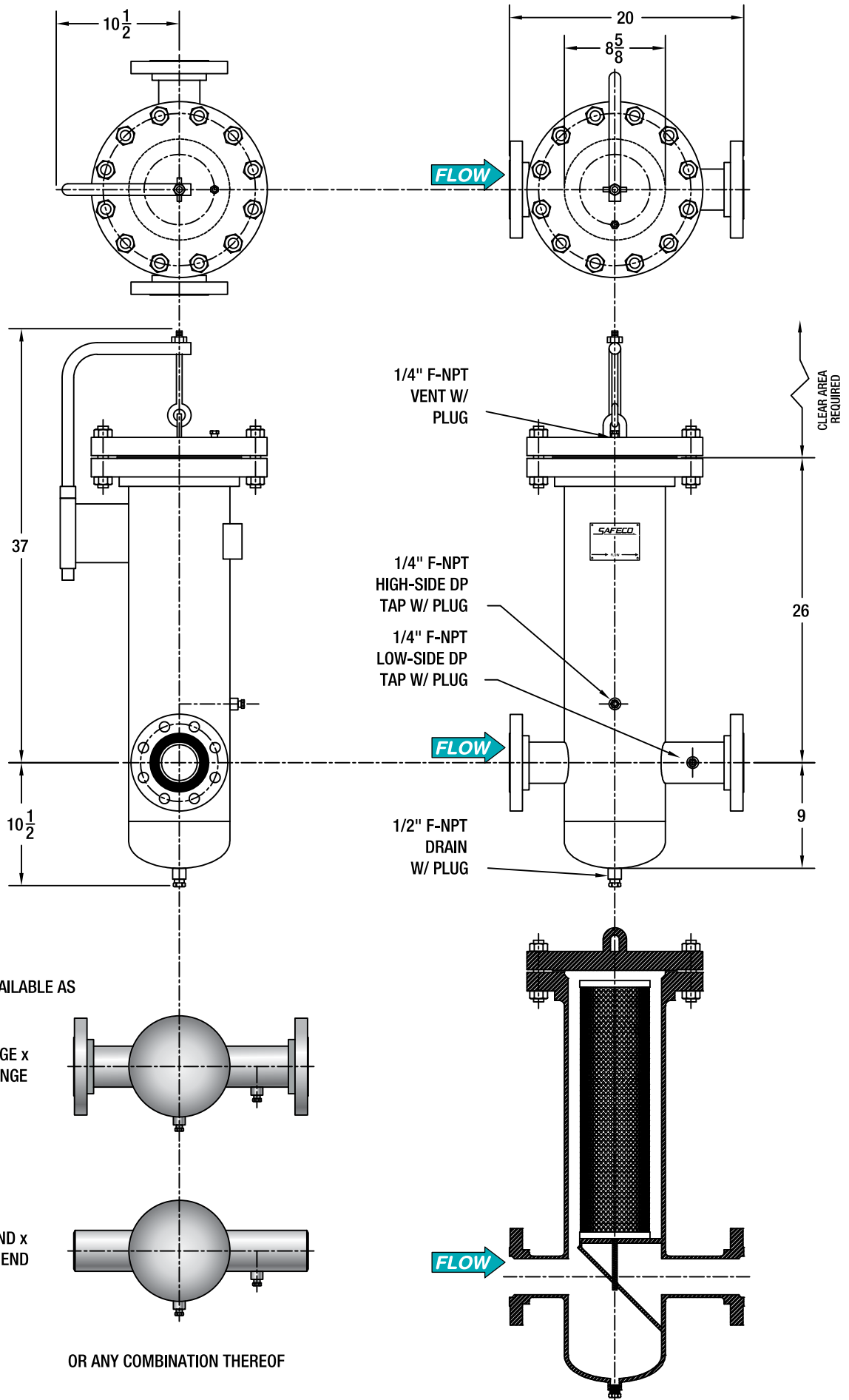
TESTING

Hydrostatic Test : 1125 PSIG
Pneumatic Test : Available 80 PSIG
Radiography : Available RT-1

COATING

2 mils Oxidating Primer,
Sand Blasting and
Other Coatings Available





SAFECO BRAND GFT-03-600

3" 600# ANSI RAISED-FACE
FABRICATED STEEL NATURAL GAS FILTER



FILTER ELEMENT

Number of Elements : One

Inner Shield : 22 Ga. CS Perforated
Outer Shield : 18 Ga. CS Perforated
End Caps : 22 Ga CS EP
MIN Collapse : 25 PSID

Cellulose Part # : 040060220-10C
Retention : 10 Microns @ 99%

Polyester Part # : 040060220-5P
Retention : 5 Microns @ 99%

CONSTRUCTION MATERIALS

Closure Type : Bolted
Davit Arm : 2" STD PIPE
Closure Bolts : SA-193 GR B-7
Closure Cap : SA-105
Gasket Size : 8" 600# RING
Gasket Mat'l : 304 SS / GRAPHITE
Closure Hub : SA-105
Body : SA-106 GR B
Bottom : SA-234 GR WPB
Inlet : SA-105 / SA-106 GR B
Outlet : SA-105 / SA-106 GR B
Drain : SA-105
High-side DP Tap : SA-105
Low-side DP Tap : SA-105
Leg Supports : N / A, Available
Skirt : N / A, Available
Base Plate : N / A, Available
Net Weight : 464 lbs

SCHEDULE OF OPENINGS

Inlet : 3" 600# ANSI RF
Outlet : 3" 600# ANSI RF
Drain : 1/2" F-NPT, w/ Plug
Vent : 1/4" F-NPT, w/ Plug
High-side DP Tap : 1/4" F-NPT, w/ Plug
Low-side DP Tap : 1/4" F-NPT, w/ Plug

DESIGN

Pressure Class : ASME / ANSI 600
Max Pressure : 1480 psig
Max Temperature : 100 Degrees F
Corrosion Allowance : None
CODE Stamped : Available

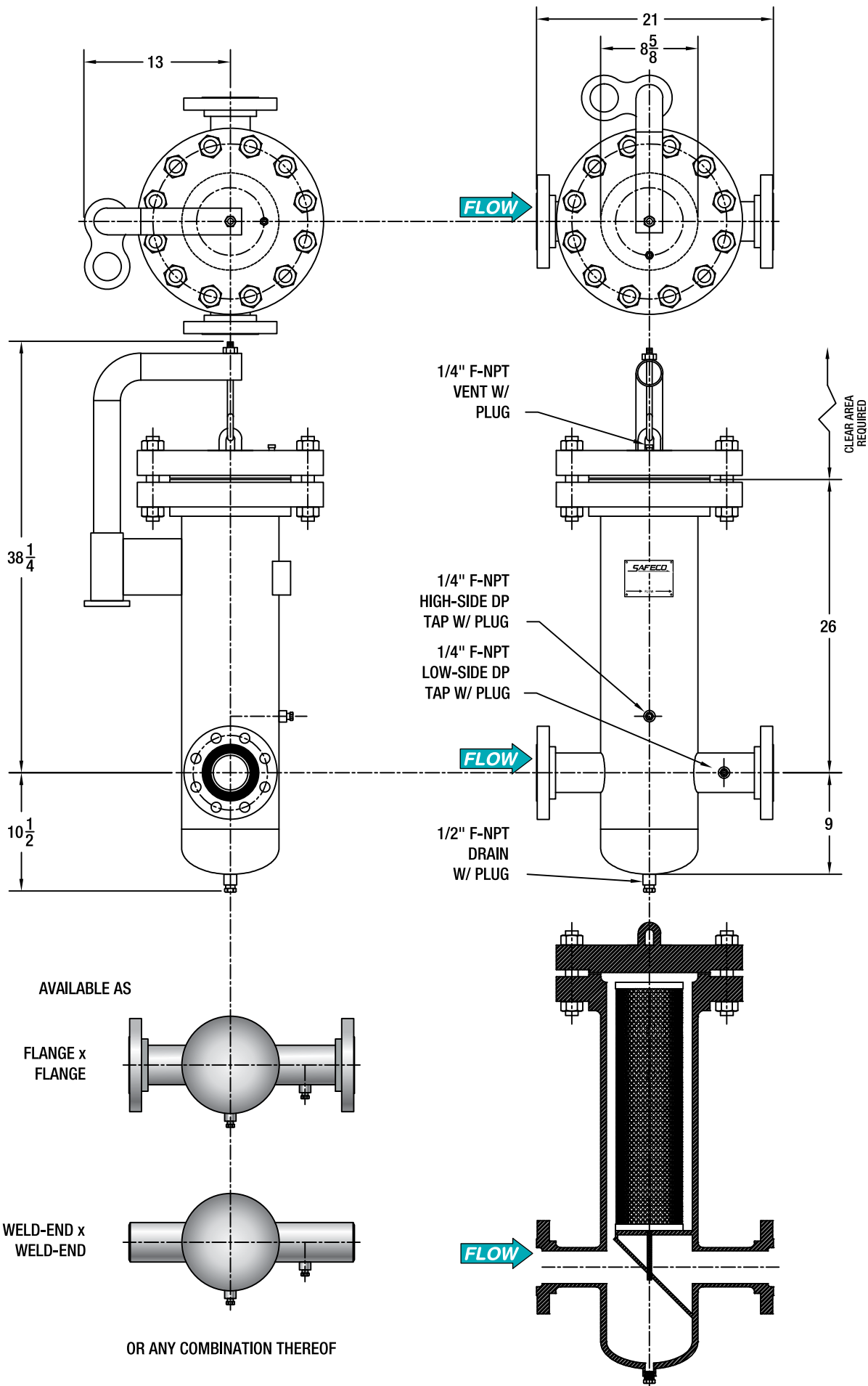
TESTING

Hydrostatic Test : 2250 PSIG
Pneumatic Test : Available 80 PSIG
Radiography : Available RT-1

COATING

2 mils Oxidating Primer,
Sand Blasting and
Other Coatings Available

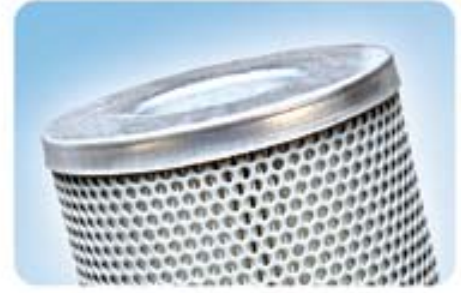




ESTIMATED GAS FLOW RATE (IN SCFH) THROUGH

SAFECO Model: GFT/GFTQ

3" 150# / 300# / 600# ANSI



Temperature : 60 Degrees F
 Gas Specific Gravity : 0.6
 Pore Size : 5 Micron
 Cartridge # : 040060220-5P

5 Micron

Calculated from DP Tap to DP Tap
PRESSURE DROP (PSI)

Inlet Pressure (PSI)	.50 WC	1.00 WC	5.00 WC	10.00 WC	20.00 WC	1	2	3	4	5
10	10291	14553	32542	46022	65085	76587	108310	132654	153175	171255
25	13046	18450	41257	58346	82515	97097	137315	168177	194194	217115
50	16654	23554	52669	74486	105339	123954	175298	214696	247909	277171
75	19610	27733	62015	87704	124032	145950	206406	252794	291902	326357
100	22176	31362	70127	99176	140256	165040	233404	285860	330082	369044
150	26573	37581	84034	118842	168068	197769	279687	342545	395538	442225
200	30340	42907	95945	135687	191891	225802	319332	391100	451604	504908
250	33688	47642	106533	150661	213067	250719	354571	434259	501439	560627
300	36732	51948	116160	164275	232321	273375	386611	473501	546752	611287
350	39543	55923	125047	176844	250096	294292	416193	509730	588585	658058
400	42167	59633	133345	188578	266690	313819	443807	543550	627638	701720
450	44637	63126	141155	199623	282310	332198	469800	575386	664397	742819
500	46976	66435	148554	210088	297109	349614	494428	605549	699229	781761
600	51338	72602	162346	229591	324692	382070	540329	661765	764141	854336
700	55356	78286	175053	247564	350108	411977	582624	713567	823956	921210
800	59103	83583	186900	264316	373800	439856	622050	761853	879713	983549
900	62624	88565	198038	280069	396077	466070	659123	807257	932141	1042165
1000	65959	93280	208583	294981	417166	490886	694218	850240	981773	1097655
1100	69133	97769	218619	309175	437239	514506	727622	891152	1029013	1150473
1200	72168	102061	228215	322744	456431	537089	759559	930266	1074179	1200969
1300	75079	106178	237423	335767	474847	558759	790206	967801	1117520	1249426
1400	77882	110142	246287	348303	492575	579621	819708	1003934	1159242	1296073

REVISION : NOVEMBER 2011

ESTIMATED GAS FLOW RATE (IN SCFH) THROUGH

SAFECO Model: GFT/GFTQ

3" 150# / 300# / 600# ANSI



Temperature : 60 Degrees F
 Gas Specific Gravity : 0.6
 Pore Size : 10 Micron
 Cartridge # : 040060220-10C

10 Micron

Calculated from DP Tap to DP Tap
PRESSURE DROP (PSI)

Inlet Pressure (PSI)	.50 WC	1.00 WC	5.00 WC	10.00 WC	20.00 WC	1	2	3	4	5
10	10395	14700	32871	46487	65743	77361	109405	133994	154723	172985
25	13178	18637	41674	58936	83349	98078	138703	169876	196156	219309
50	16823	23792	53202	75239	106404	125207	177069	216865	250414	279971
75	19809	28014	62642	88590	125285	147425	208491	255348	294851	329654
100	22400	31679	70836	100178	141673	166708	235762	288748	333417	372772
150	26842	37961	84883	120043	169766	199767	282513	346006	399534	446692
200	30647	43341	96915	137058	193830	228083	322558	395051	456166	510009
250	34029	48124	107610	152183	215220	253252	358153	438646	506505	566290
300	37104	52473	117334	165935	234668	276137	390517	478284	552275	617462
350	39943	56488	126311	178631	252623	297265	420397	514879	594531	664706
400	42593	60236	134692	190483	269384	316989	448290	549041	633978	708809
450	45088	63764	142581	201640	285162	335554	474546	581198	671109	750323
500	47451	67107	150055	212211	300111	353146	499423	611666	706292	789658
600	51857	73336	163986	231911	327972	385930	545787	668450	771860	862966
700	55916	79077	176822	250065	353645	416139	588510	720775	832279	930516
800	59700	84428	188788	266986	377576	444299	628334	769549	888599	993484
900	63257	89460	200039	282898	400078	470778	665781	815412	941557	1052692
1000	66626	94223	210690	297961	421380	495845	701231	858829	991690	1108743
1100	69832	98757	220828	312298	441656	519704	734972	900154	1039408	1162094
1200	72897	103092	230521	326005	461042	542515	767232	939663	1085030	1213100
1300	75838	107251	239822	339159	479644	564404	798188	977577	1128809	1262047
1400	78669	111255	248775	351822	497551	585476	827988	1014075	1170952	1309165

REVISION : NOVEMBER 2011

SAFECO BRAND GFT-04-150

4" 150# ANSI RAISED-FACE
FABRICATED STEEL NATURAL GAS FILTER



FILTER ELEMENT

Number of Elements : One

Inner Shield : 22 Ga. CS Perforated

Outer Shield : 18 Ga. CS Perforated

End Caps : 22 Ga CS EP

MIN Collapse : 25 PSID

Cellulose Part # : 040060220-10C

Retention : 10 Microns @ 99%

Polyester Part # : 040060220-5P

Retention : 5 Microns @ 99%

CONSTRUCTION MATERIALS

Closure Type : Bolted

Davit Arm : None, Handle

Closure Bolts : SA-193 GR B-7

Closure Cap : SA-105

Gasket Size : 8" 150# RING

Gasket Mat'l : NON-ASBESTOS

Closure Hub : SA-105

Body : SA-106 GR B

Bottom : SA-234 GR WPB

Inlet : SA-105 / SA-106 GR B

Outlet : SA-105 / SA-106 GR B

Drain : SA-105

High-side DP Tap : SA-105

Low-side DP Tap : SA-105

Leg Supports : N / A, Available

Skirt : N / A, Available

Base Plate : N / A, Available

Net Weight : 234 lbs

SCHEDULE OF OPENINGS

Inlet : 4" 150# ANSI RF

Outlet : 4" 150# ANSI RF

Drain : 1/2" F-NPT, w/ Plug

Vent : 1/4" F-NPT, w/ Plug

High-side DP Tap : 1/4" F-NPT, w/ Plug

Low-side DP Tap : 1/4" F-NPT, w/ Plug

DESIGN

Pressure Class : ASME / ANSI 150

Max Pressure : 285 psig

Max Temperature : 100 Degrees F

Corrosion Allowance : None

CODE Stamped : Available

TESTING

Hydrostatic Test : 450PSIG

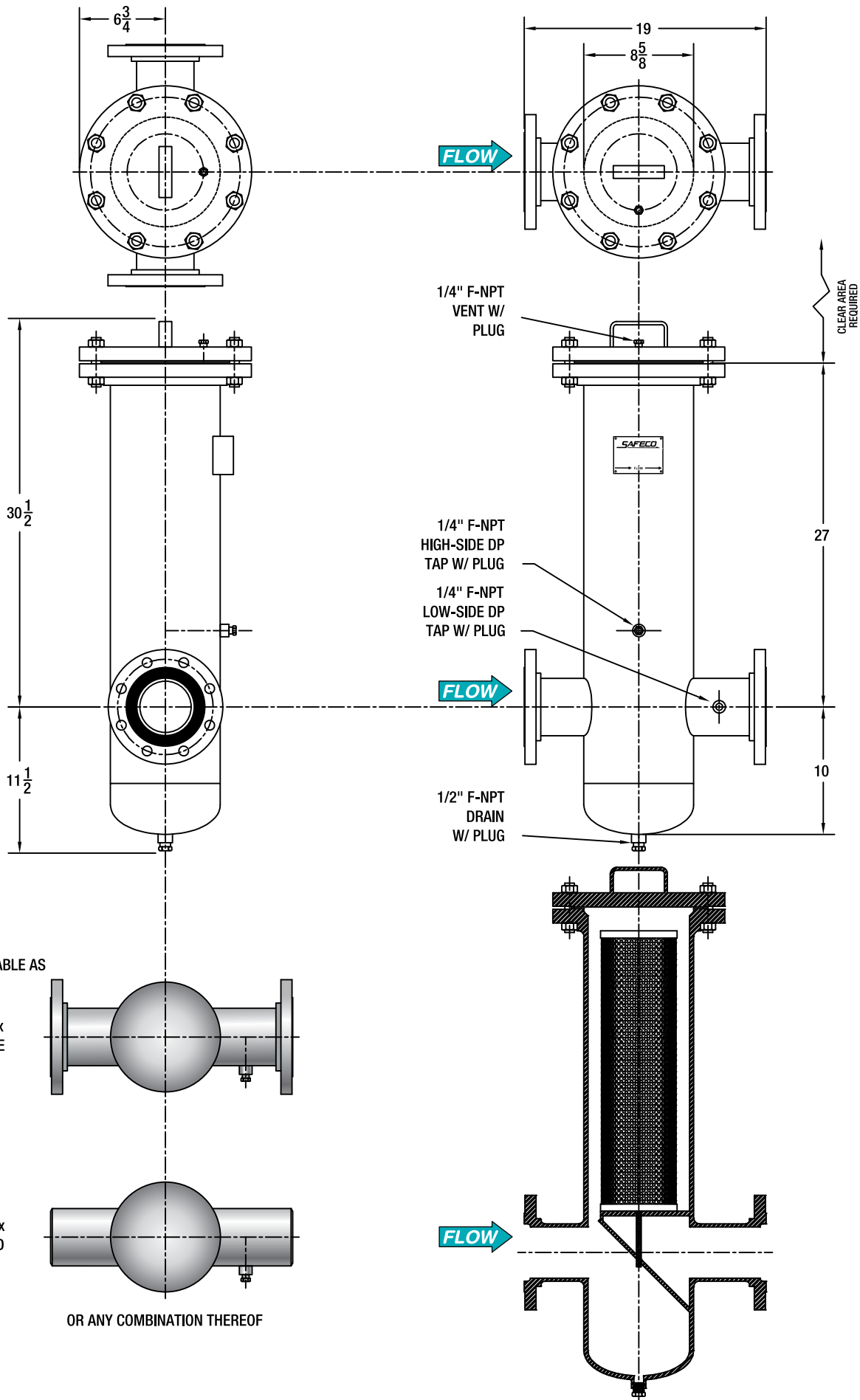
Pneumatic Test : Available 80 PSIG

Radiography : Available RT-1

COATING

2 mils Oxidating Primer,
Sand Blasting and
Other Coatings Available





SAFECO BRAND GFT-04-300

4" 300# ANSI RAISED-FACE
FABRICATED STEEL NATURAL GAS FILTER



FILTER ELEMENT

Number of Elements : One

Inner Shield : 22 Ga. CS Perforated
Outer Shield : 18 Ga. CS Perforated
End Caps : 22 Ga CS EP
MIN Collapse : 25 PSID

Cellulose Part # : 040060220-10C
Retention : 10 Microns @ 99%

Polyester Part # : 040060220-5P
Retention : 5 Microns @ 99%

CONSTRUCTION MATERIALS

Closure Type : Bolted
Davit Arm : 1" CR CARBON STEEL
Closure Bolts : SA-193 GR B-7
Closure Cap : SA-105
Gasket Size : 8" 300# RING
Gasket Mat'l : NON-ASBESTOS
Closure Hub : SA-105
Body : SA-106 GR B
Bottom : SA-234 GR WPB
Inlet : SA-105 / SA-106 GR B
Outlet : SA-105 / SA-106 GR B
Drain : SA-105
High-side DP Tap : SA-105
Low-side DP Tap : SA-105
Leg Supports : N / A, Available
Skirt : N / A, Available
Base Plate : N / A, Available
Net Weight : 336 lbs

SCHEDULE OF OPENINGS

Inlet : 4" 300# ANSI RF
Outlet : 4" 300# ANSI RF
Drain : 1/2" F-NPT, w/ Plug
Vent : 1/4" F-NPT, w/ Plug
High-side DP Tap : 1/4" F-NPT, w/ Plug
Low-side DP Tap : 1/4" F-NPT, w/ Plug

DESIGN

Pressure Class : ASME / ANSI 300
Max Pressure : 740 psig
Max Temperature : 100 Degrees F
Corrosion Allowance : None
CODE Stamped : Available

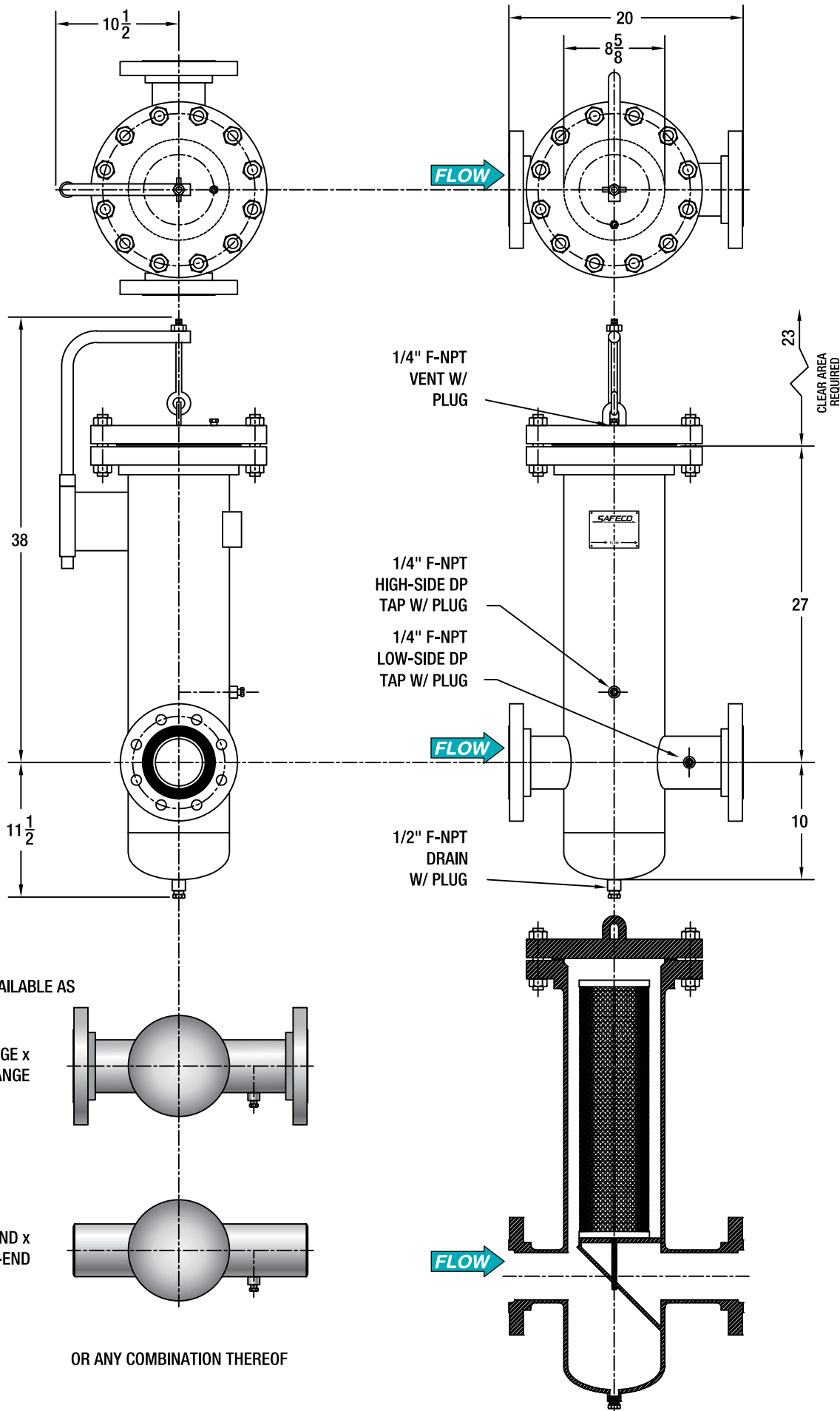
TESTING

Hydrostatic Test : 1125 PSIG
Pneumatic Test : Available 80 PSIG
Radiography : Available RT-1

COATING

2 mils Oxidating Primer,
Sand Blasting and
Other Coatings Available





SAFECO BRAND GFT-04-600

4" 600# ANSI RAISED-FACE
FABRICATED STEEL NATURAL GAS FILTER



FILTER ELEMENT

Number of Elements : One

Inner Shield : 22 Ga. CS Perforated
Outer Shield : 18 Ga. CS Perforated
End Caps : 22 Ga CS EP
MIN Collapse : 25 PSID

Cellulose Part # : 040060220-10C
Retention : 10 Microns @ 99%

Polyester Part # : 040060220-5P
Retention : 5 Microns @ 99%

CONSTRUCTION MATERIALS

Closure Type : Bolted
Davit Arm : 2" STD PIPE
Closure Bolts : SA-193 GR B-7
Closure Cap : SA-105
Gasket Size : 8" 300# RING
Gasket Mat'l : 304 SS / GRAPHITE
Closure Hub : SA-105
Body : SA-106 GR B
Bottom : SA-234 GR WPB
Inlet : SA-105 / SA-106 GR B
Outlet : SA-105 / SA-106 GR B
Drain : SA-105
High-side DP Tap : SA-105
Low-side DP Tap : SA-105
Leg Supports : N / A, Available
Skirt : N / A, Available
Base Plate : N / A, Available
Net Weight : 526 lbs

SCHEDULE OF OPENINGS

Inlet : 4" 600# ANSI RF
Outlet : 4" 600# ANSI RF
Drain : 1/2" F-NPT, w/ Plug
Vent : 1/4" F-NPT, w/ Plug
High-side DP Tap : 1/4" F-NPT, w/ Plug
Low-side DP Tap : 1/4" F-NPT, w/ Plug

DESIGN

Pressure Class : ASME / ANSI 600
Max Pressure : 1480 psig
Max Temperature : 100 Degrees F
Corrosion Allowance : None
CODE Stamped : Available

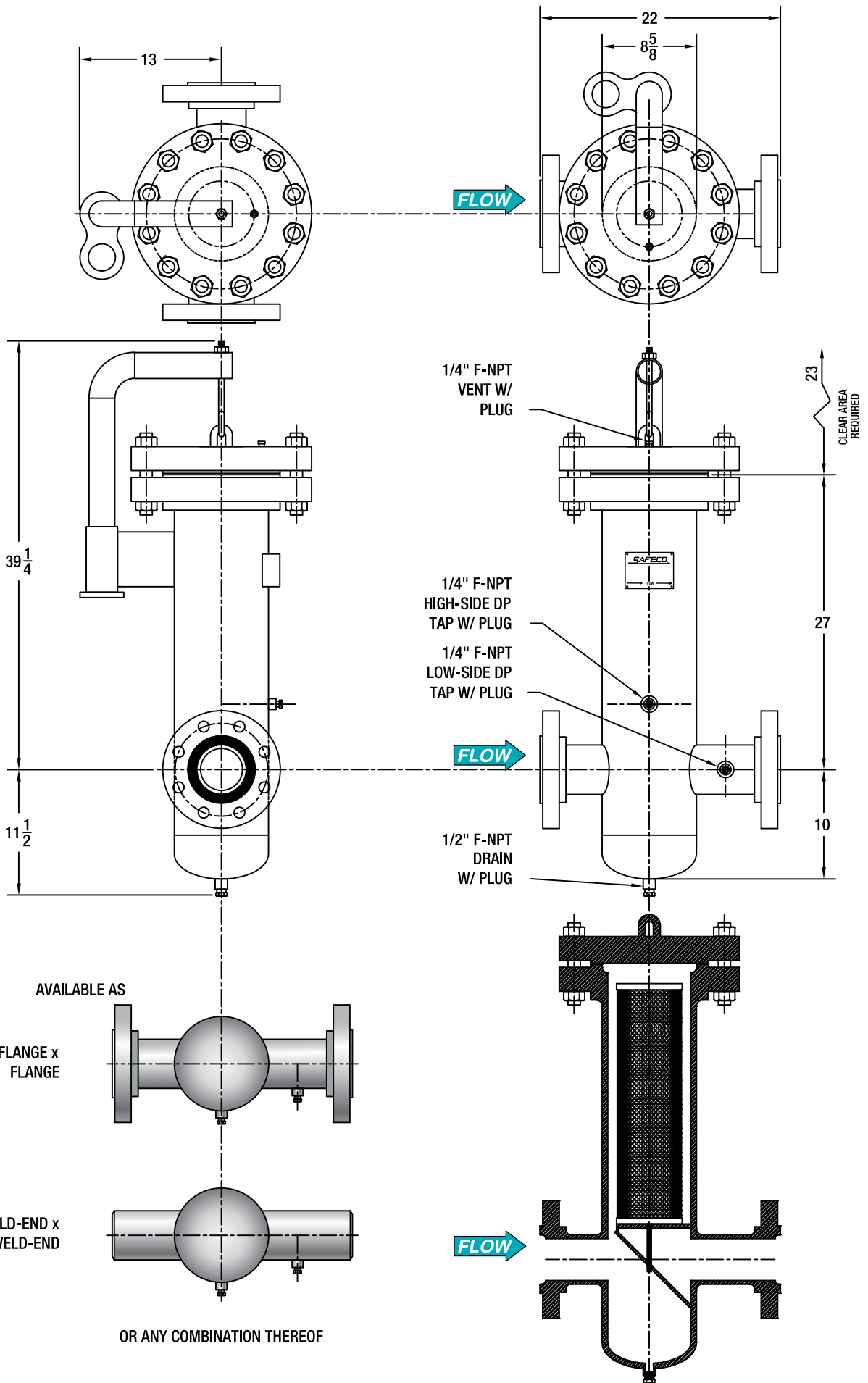
TESTING

Hydrostatic Test : 2250 PSIG
Pneumatic Test : Available 80 PSIG
Radiography : Available RT-1

COATING

2 mils Oxidating Primer,
Sand Blasting and
Other Coatings Available

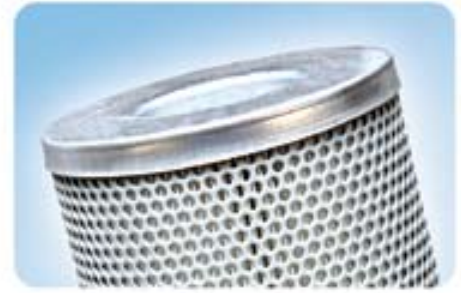




ESTIMATED GAS FLOW RATE (IN SCFH) THROUGH

SAFECO Model: GFT/GFTQ

4" 150# / 300# / 600# ANSI



Temperature : 60 Degrees F
 Gas Specific Gravity : 0.6
 Pore Size : 5 Micron
 Cartridge # : 040060220-5P

5 Micron

Calculated from DP Tap to DP Tap
PRESSURE DROP (PSI)

Inlet Pressure (PSI)	.50 WC	1.00 WC	5.00 WC	10.00 WC	20.00 WC	1	2	3	4	5
10	16598	23472	52488	74230	104977	123528	174696	213958	247057	276218
25	21042	29759	66544	94108	133089	156608	221477	271254	313217	350187
50	26863	37991	84950	120139	169902	199927	282740	346285	399855	447051
75	31630	44733	100026	141459	200053	235405	332914	407734	470811	526383
100	35767	50584	113109	159961	226219	266196	376458	461065	532393	595233
150	42861	60614	135538	191681	271078	318982	451110	552495	637965	713268
200	48936	69206	154751	218851	309503	364197	515052	630808	728394	814370
250	54337	76843	171828	243002	343657	404387	571890	700420	808775	904238
300	59246	83787	187355	264961	374712	440929	623568	763712	881859	985948
350	63779	90198	201690	285234	403382	474666	671280	822146	949333	1061386
400	68012	96183	215072	304159	430146	506160	715818	876695	1012320	1131808
450	71994	101816	227669	321973	455339	535805	757743	928042	1071611	1198098
500	75769	107154	239604	338853	479210	563894	797467	976694	1127789	1260906
600	82803	117102	261849	370310	523698	616243	871499	1067365	1232487	1377963
700	89285	126268	282346	399296	564692	664481	939718	1150915	1328963	1485825
800	95327	134813	301452	426317	602904	709446	1003309	1228797	1418893	1586371
900	101008	142847	319417	451724	638835	751726	1063102	1302030	1503454	1680913
1000	106386	150453	336424	475777	672850	791753	1119707	1371356	1583506	1770414
1100	111505	157693	352613	498669	705226	829850	1173586	1437343	1659701	1855602
1200	116400	164614	368089	520557	736179	866274	1225097	1500431	1732549	1937048
1300	121096	171256	382941	541561	765883	901226	1274527	1560971	1802454	2015205
1400	125617	177650	397238	561780	794477	934873	1322111	1619249	1869748	2090442

REVISION : MAY 2012

ESTIMATED GAS FLOW RATE (IN SCFH) THROUGH

SAFECO Model: GFT/GFTQ

4" 150# / 300# / 600# ANSI



Temperature : 60 Degrees F
 Gas Specific Gravity : 0.6
 Pore Size : 10 Micron
 Cartridge # : 040060220-10C

10 Micron

Calculated from DP Tap to DP Tap
PRESSURE DROP (PSI)

Inlet Pressure (PSI)	.50 WC	1.00 WC	5.00 WC	10.00 WC	20.00 WC	1	2	3	4	5
10	16766	23710	53019	74980	106038	124776	176461	216120	249553	279009
25	21255	30060	67217	95059	134434	158190	223715	273994	316381	353725
50	27135	38375	85809	121353	171619	201947	285596	349783	403894	451567
75	31950	45185	101037	142888	202074	237783	336277	411853	475567	531700
100	36129	51095	114252	161577	228505	268885	380261	465723	537771	601246
150	43294	61227	136908	193618	273817	322205	455667	558076	644410	720473
200	49431	69906	156315	221062	312630	367876	520255	637180	735752	822596
250	54886	77620	173564	245457	347129	408472	577667	707495	816945	913372
300	59845	84634	189248	267638	378497	445383	629867	771427	890767	995908
350	64424	91110	203728	288116	407457	479461	678061	830451	958923	1072108
400	68699	97155	217245	307232	434491	511273	723049	885551	1022546	1143241
450	72722	102845	229969	325226	459939	541218	765397	937417	1082436	1210200
500	76535	108237	242025	342276	484051	569590	805523	986560	1139181	1273643
600	83640	118285	264494	374051	528988	622468	880303	1078147	1244937	1391882
700	90187	127544	285198	403330	570396	671193	949211	1162541	1342387	1500834
800	96290	136175	304497	430624	608994	716613	1013444	1241210	1433226	1602395
900	102029	144290	322644	456287	645288	759320	1073841	1315182	1518641	1697892
1000	107461	151973	339823	480583	679647	799751	1131018	1385209	1599502	1788297
1100	112632	159286	356175	503707	712350	838233	1185441	1451862	1676466	1874346
1200	117576	166277	371808	525816	743616	875025	1237472	1515587	1750050	1956615
1300	122320	172986	386810	547032	773620	910330	1287402	1576739	1820661	2035561
1400	126886	179445	401251	567455	802503	944317	1335466	1635606	1888635	2111558

REVISION : NOVEMBER 2011